



Product Name:	Argon POD Display for Zero 2 W
Product Model:	A22-004 AR-POD-Display – POD Display Module
EAN / UPC:	
Data Sheet Version:	Rev 1.0 Date: July 2022
Argon 40 SKU:	AR_POD_DISPLAY

1. Application:

- Expansion Display for the Raspberry Pi Zero 2 W
- Connects to the POD Case via GPIO

Product Features:

- **POD Display Module**
 - Connects seamlessly with the POD Case via 40-PIN GPIO
 - 2.8" Inch Display
 - One line install for Raspberry Pi OS Driver

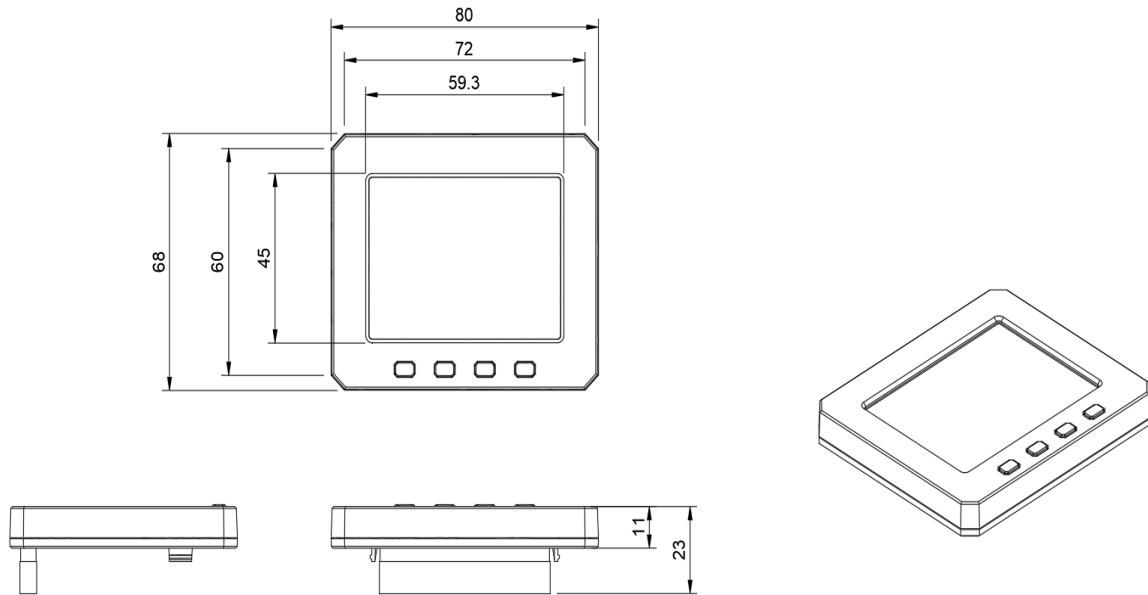
2. Product Specifications:

- Power requirement: 5V, 3Amp
- Product Material: Cast Aluminum and Extruded Aluminum

3. Mechanical Information and Functional Diagram:

3.1 A22-003 AR-POD-2.8" DISPLAY

POD 2.8" Inch Display Module





4. Reference Design:

- (Electronics Schematics)

5. Product Compliance Information:

- This part is compliant with EU 2002/95/EC RoHS directive (Restrictions on the Use of Certain Hazardous Substances in Electrical and Electronic Equipment)
- CE Certification

6. Contact Information:

Website:

<https://www.argon40.com>

Email:

cs@argon40.com